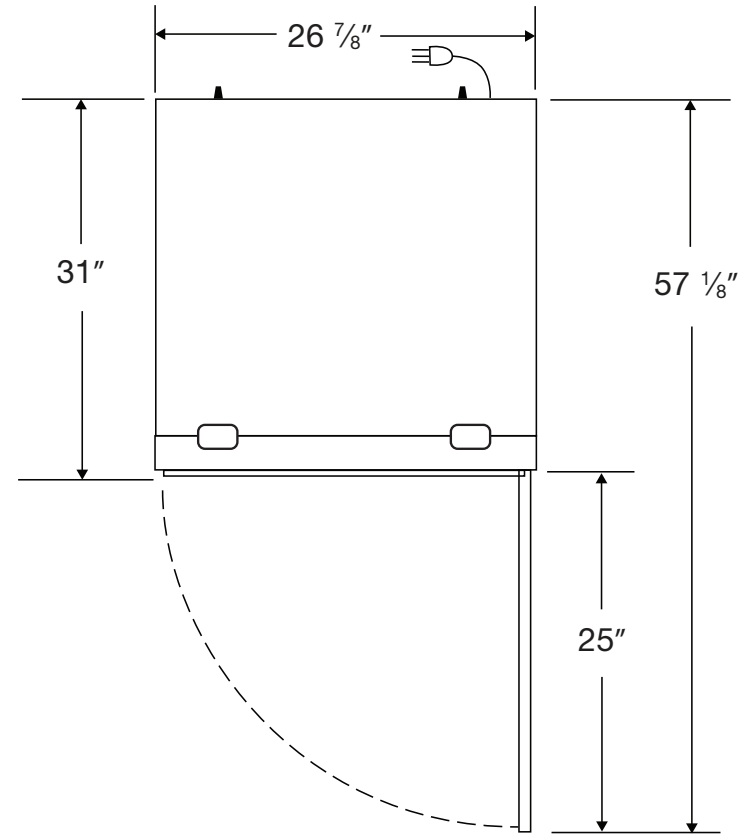
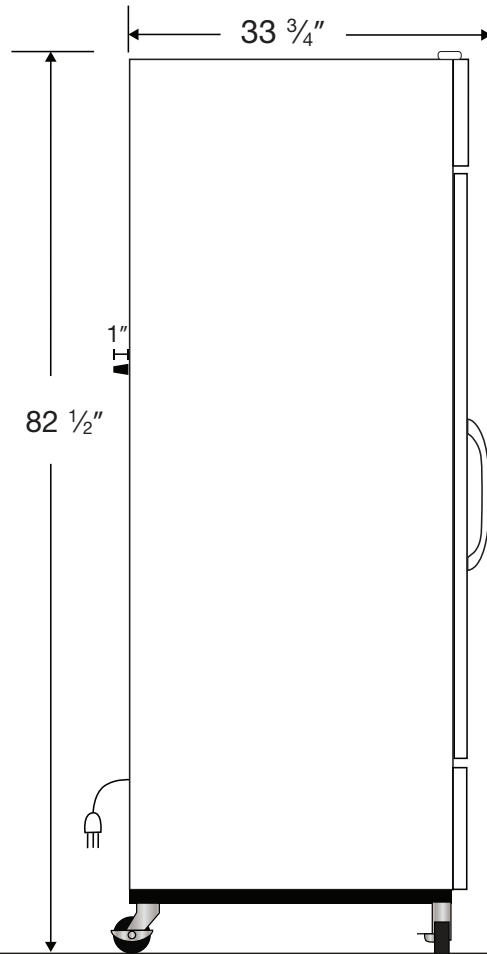
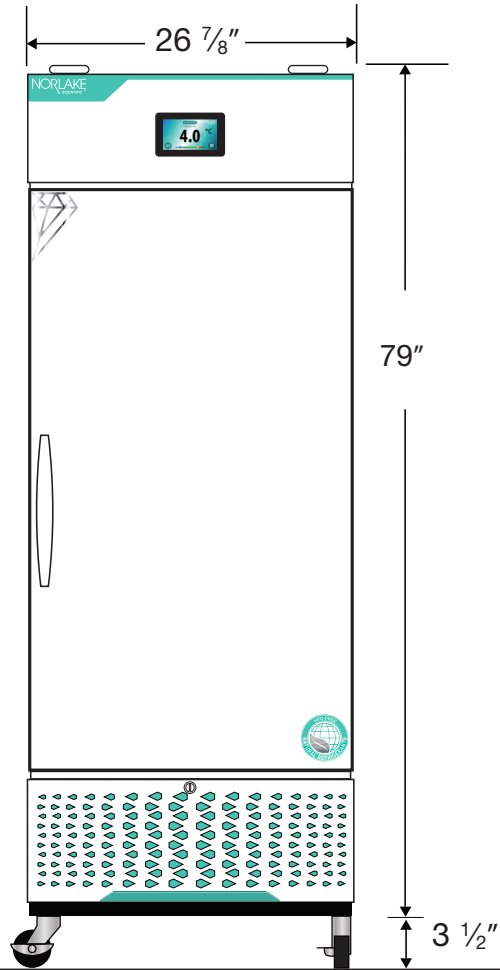


Front View

Side View

Top View



115VAC/60Hz/1PH
NEMA-5-15P

Cu. Ft	Defrost	Door	Int Door	Shelves	W"	D"	H"	Refrigerant	H.P.	Amps	Weight
23	Cycle	1 Solid	0	5 Adj	26 ⁷ / ₈	34 ³ / ₄	82 ¹ / ₂	R290	¹ / ₅	3	210 lbs.