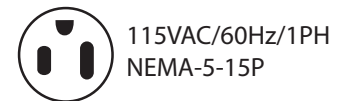
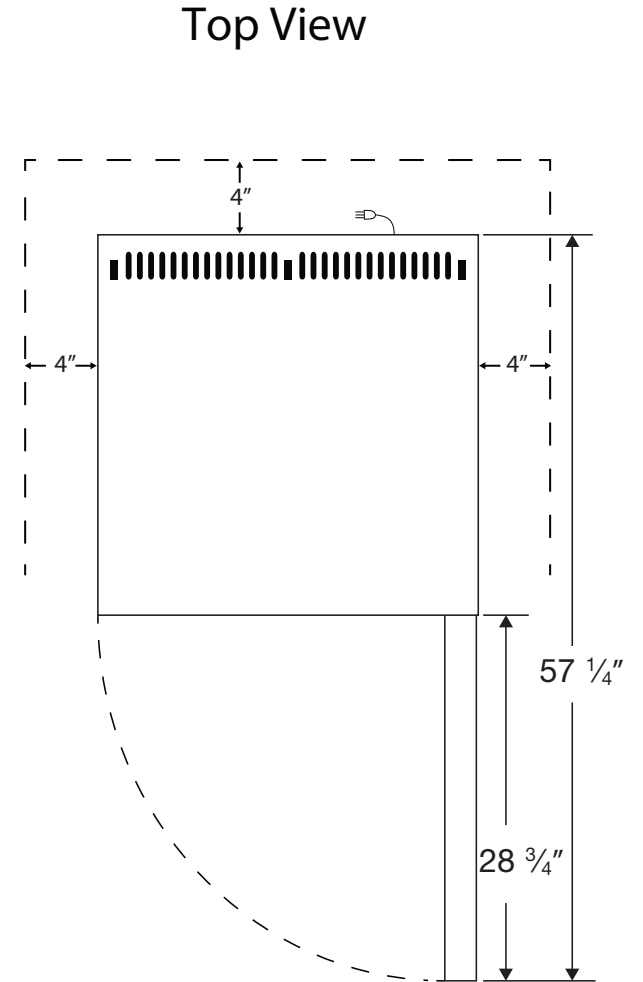
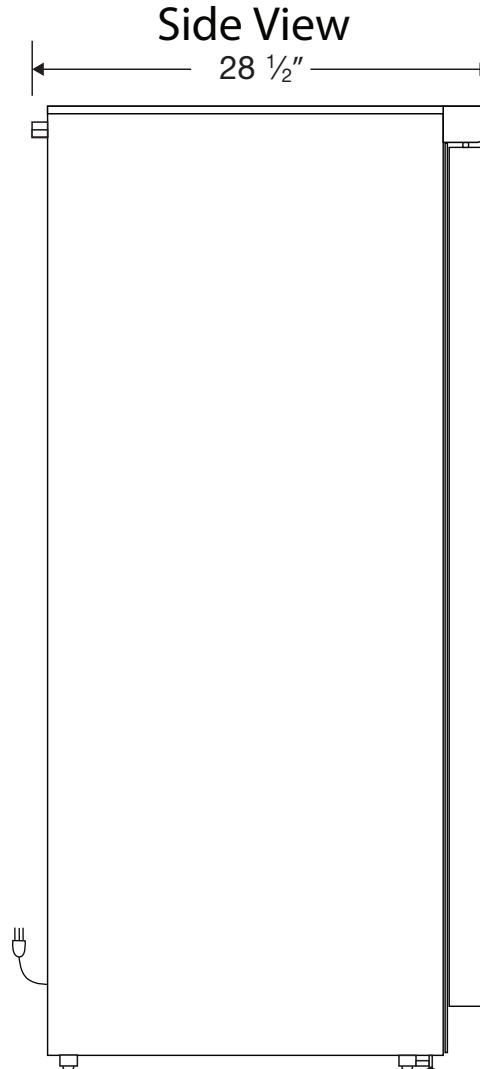
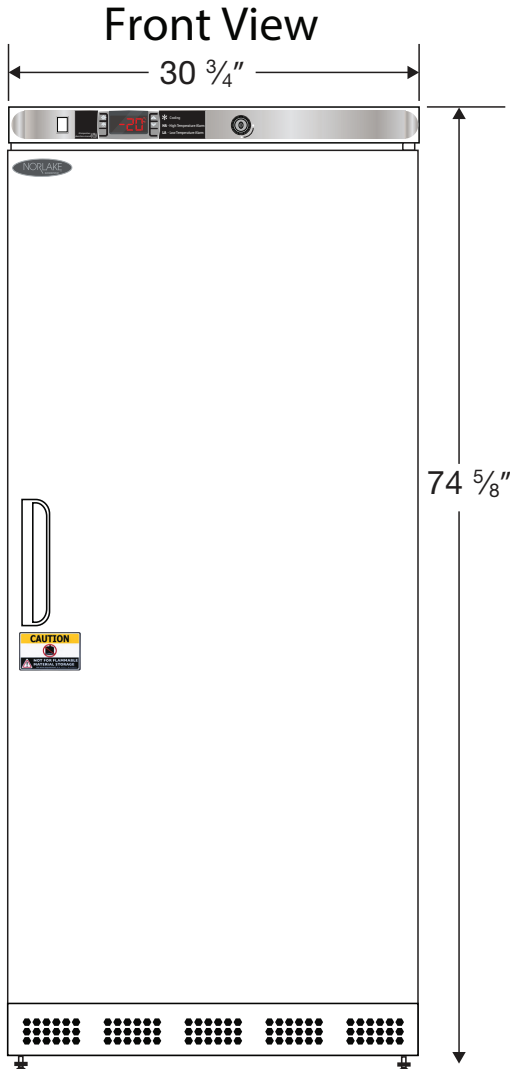


CUTSHEET



NOTE: Ventilation Requirements – Minimum 4" clearance on sides and back

| Cu. Ft | Defrost | Door | Int Door | Shelves | W" | D" | H" | Refrigerant | H.P. | Amps | Weight |
|--------|---------|---------|----------|---------|--------------------------------|--------------------------------|--------------------------------|-------------|-----------------------------|------|----------|
| 20 | Manual | 1 Solid | 0 | 6 Fixed | 30 ³ / ₄ | 28 ¹ / ₂ | 74 ⁵ / ₈ | R290 | ¹ / ₂ | 1.96 | 207 lbs. |