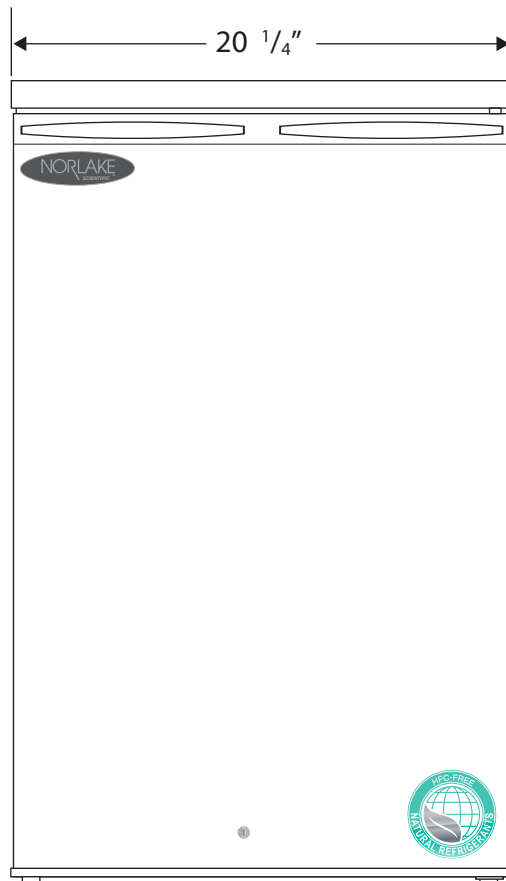
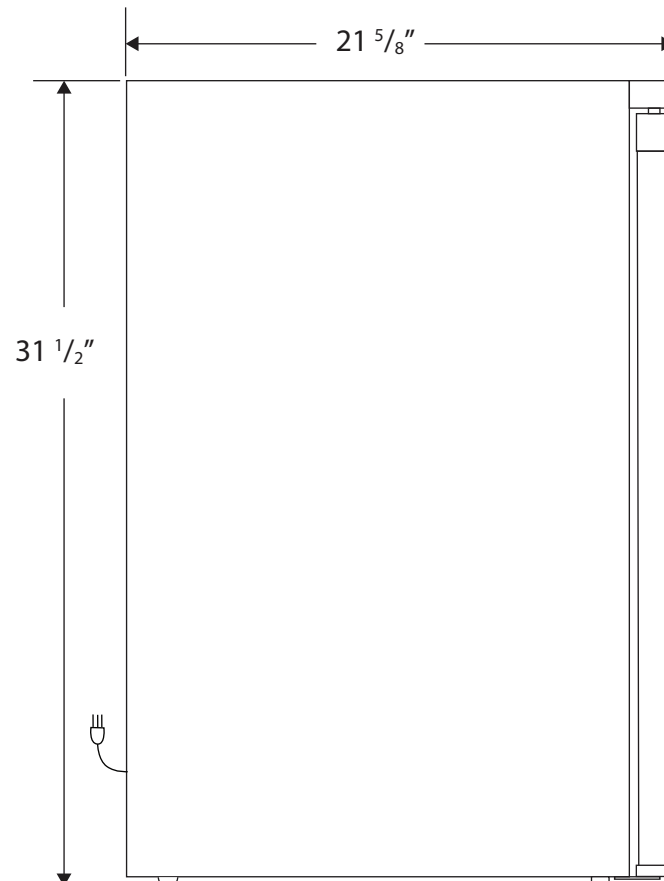


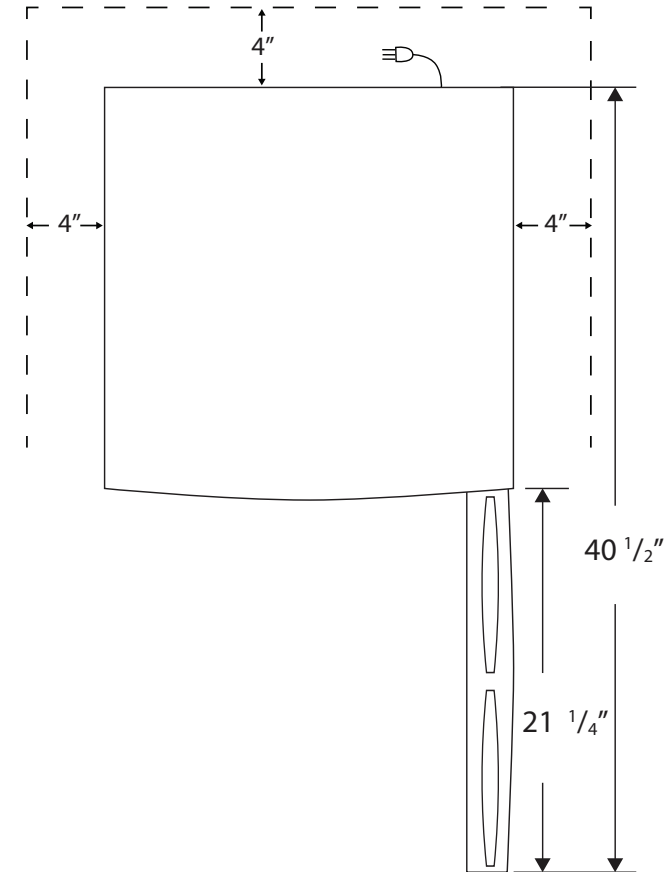
Front View




Side View



Top View



**NOTE: Ventilation Requirements – Minimum 4" clearance on sides and back**

 115VAC/60Hz/1PH  
NEMA-5-15P

Cu. Ft	Defrost	Door	Int Door	Shelves	W"	D"	H"	Refrigerant	H.P.	Amps	Weight
4	Manual	1 Solid	0	2 Fixed	20 1/4	21 5/8	31 1/2	R600a	1/7	.90	67 lbs.