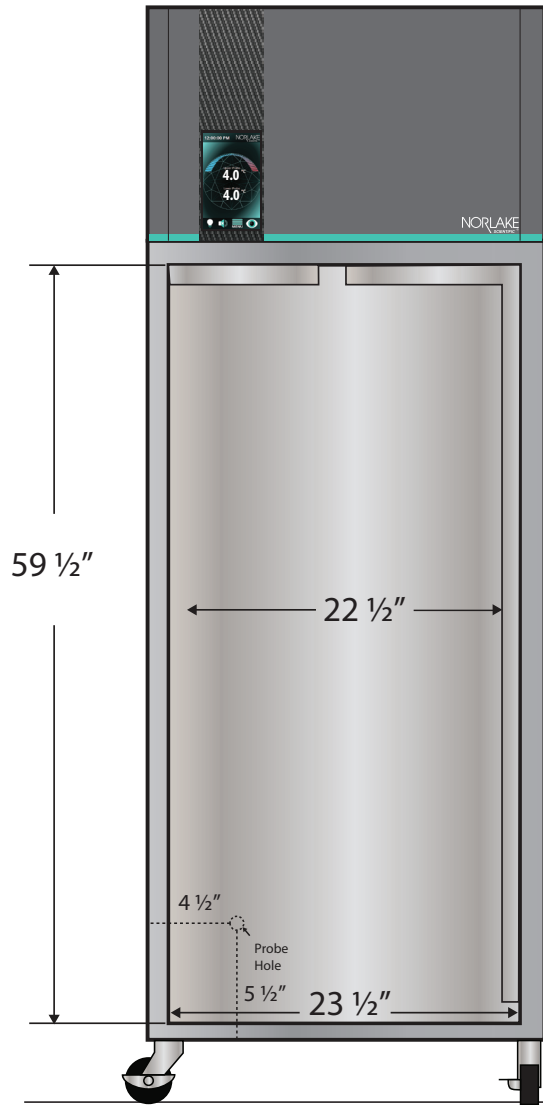
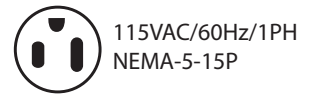
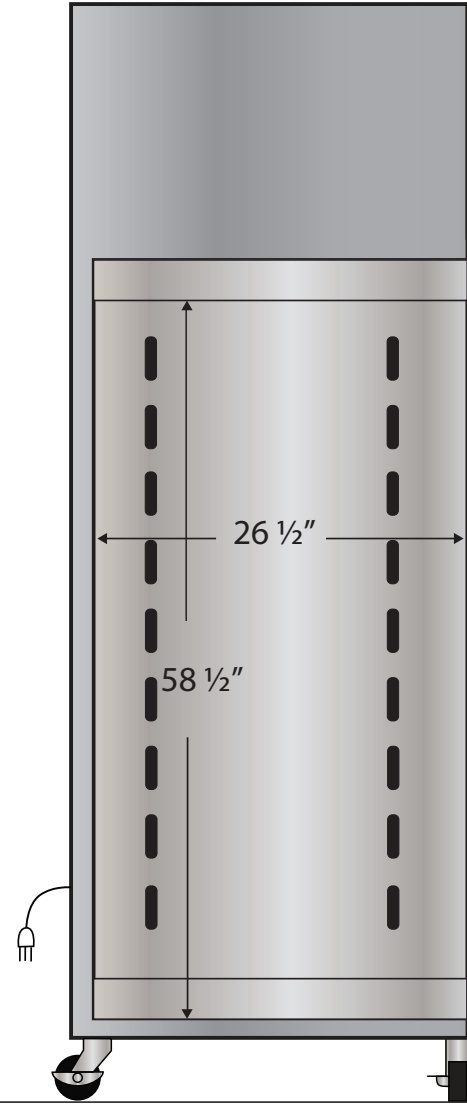


Front View



Side View



115VAC/60Hz/1PH
NEMA-5-15P

Cu. Ft	Defrost	Door	Int Door	Shelves	Interior Dim.			Refrigerant	H.P.	Amps	Weight
					W"	D"	H"				
22	Cycle	1 Solid	0	5 Adj	22 1/2	26 1/2	58 1/2	R290	1/4	3.8	376 lbs

Note: Interior dimensions are estimates and subject to change without notice