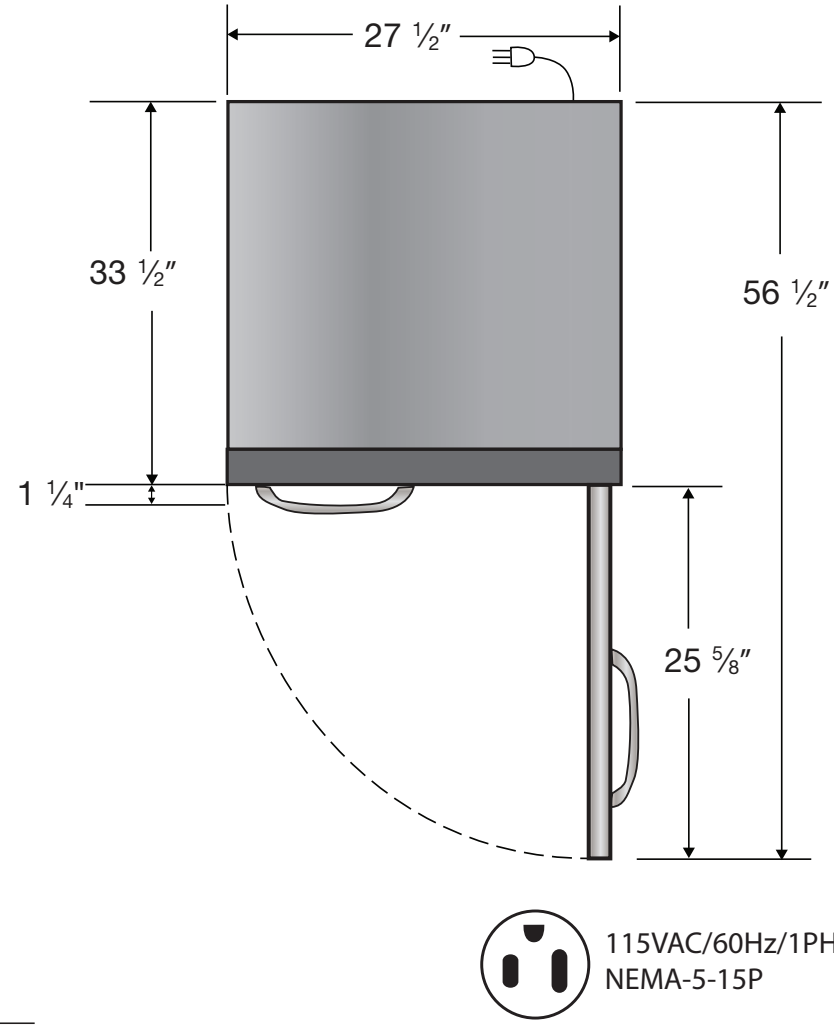
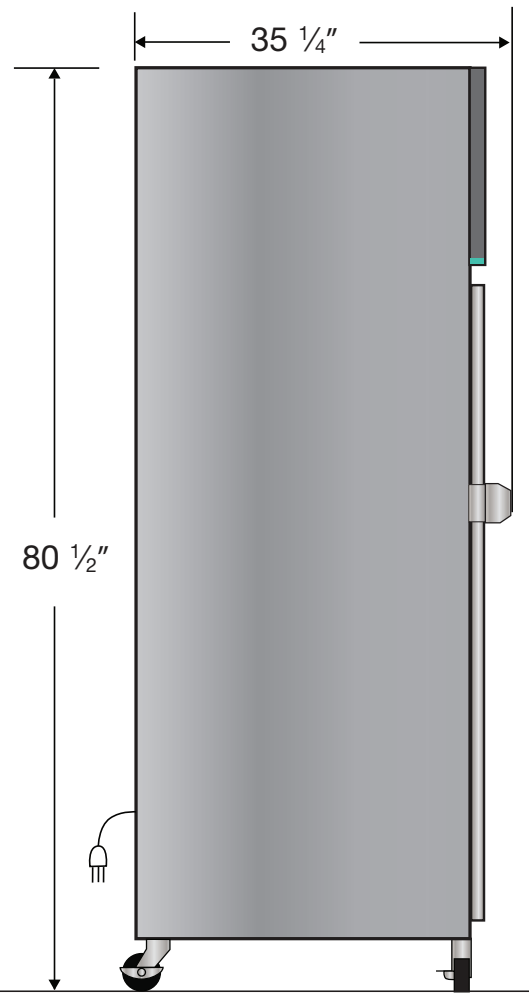
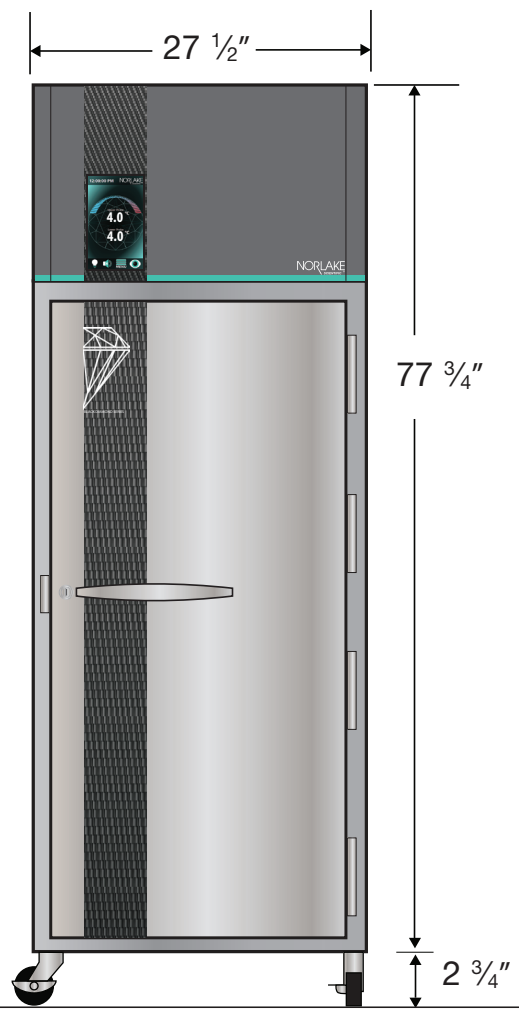



Front View

Side View

Top View

115VAC/60Hz/1PH
NEMA-5-15P

Cu. Ft	Defrost	Door	Int Door	Shelves	W"	D"	H"	Refrigerant	H.P.	Amps	Weight
22	Cycle	1 Solid	0	5 Adj.	27 1/2	35 1/4	80 1/2	R290	1/4	3.8	376 lbs