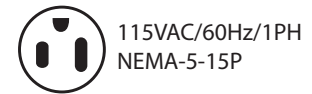
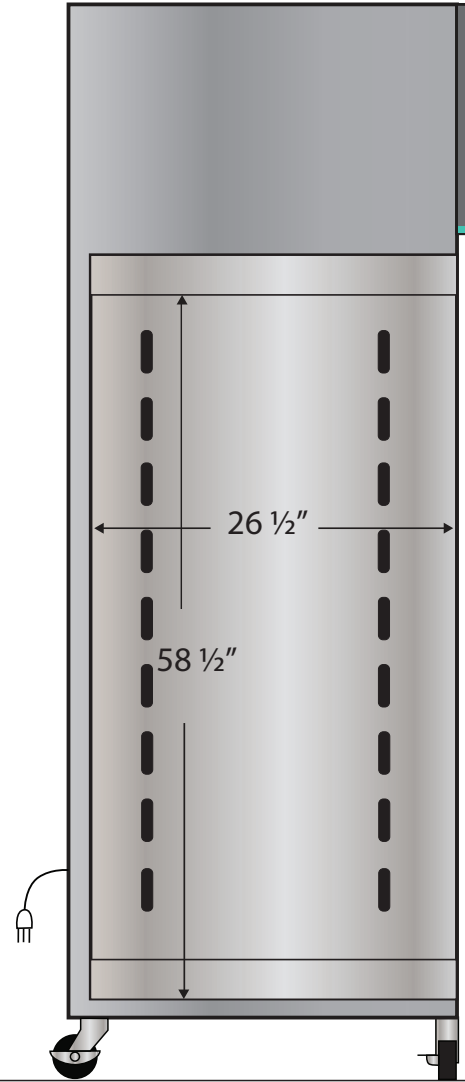
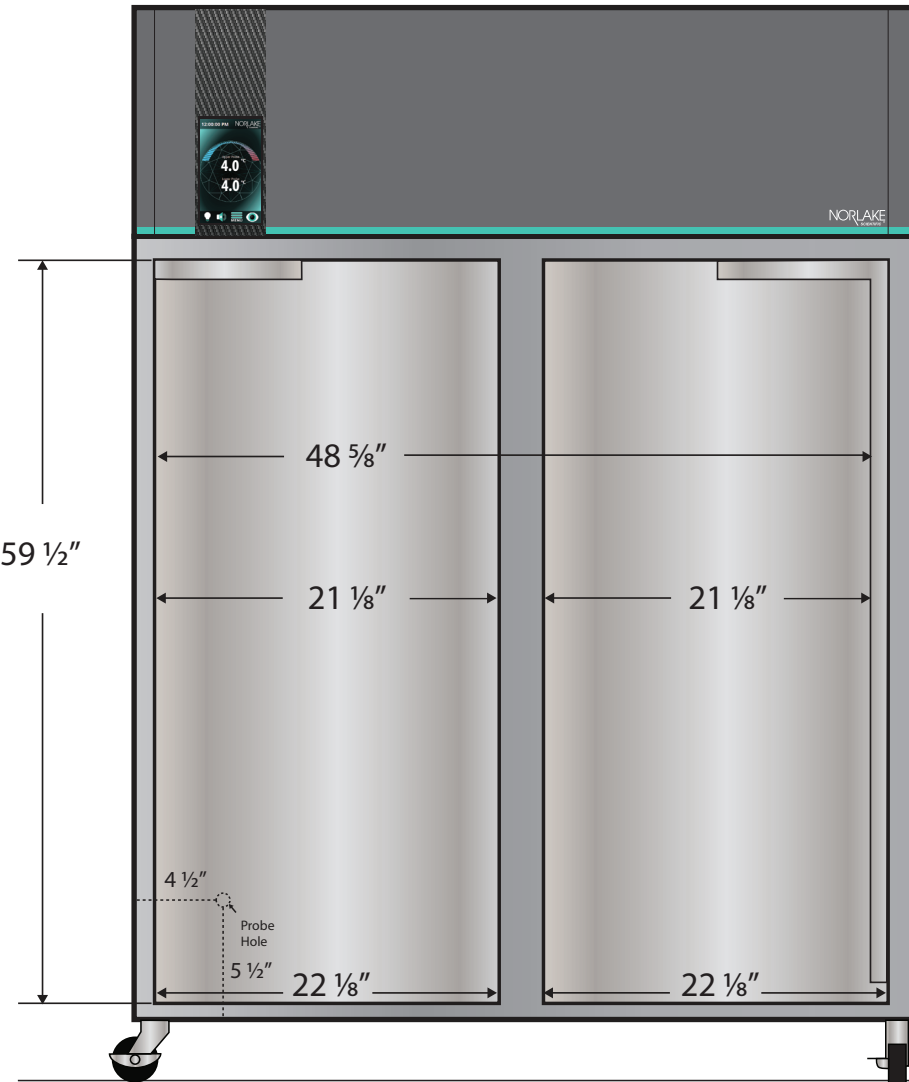


Front View

Side View



Cu. Ft	Defrost	Door	Int Door	Shelves	Interior Dim.			Refrigerant	H.P.	Amps	Weight
					W"	D"	H"				
46	Cycle	2 Glass	0	10 Adj	48 5/8	26 1/2	58 1/2	R290	1/2	5.9	614 lbs

Note: Interior dimensions are estimates and subject to change without notice