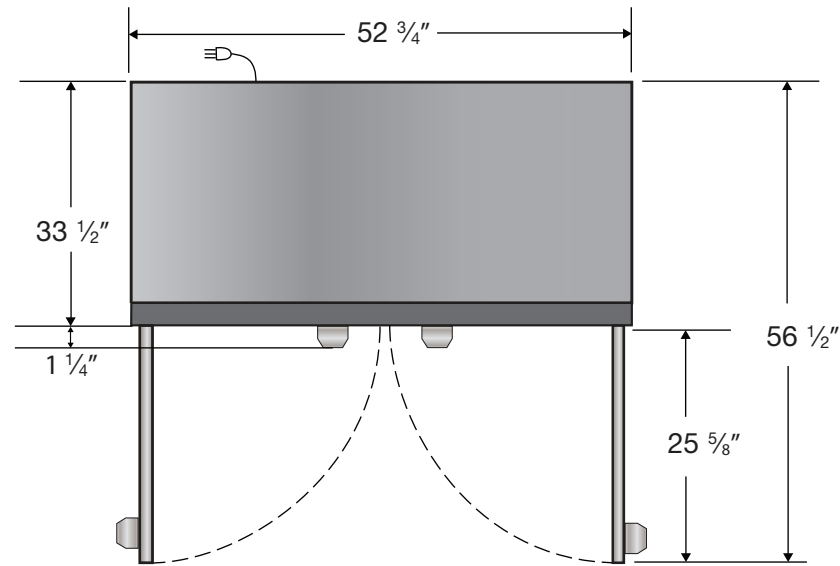
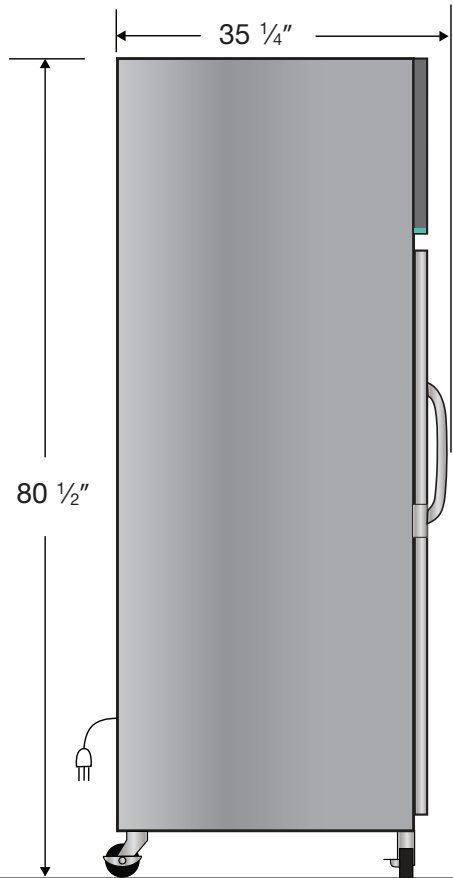
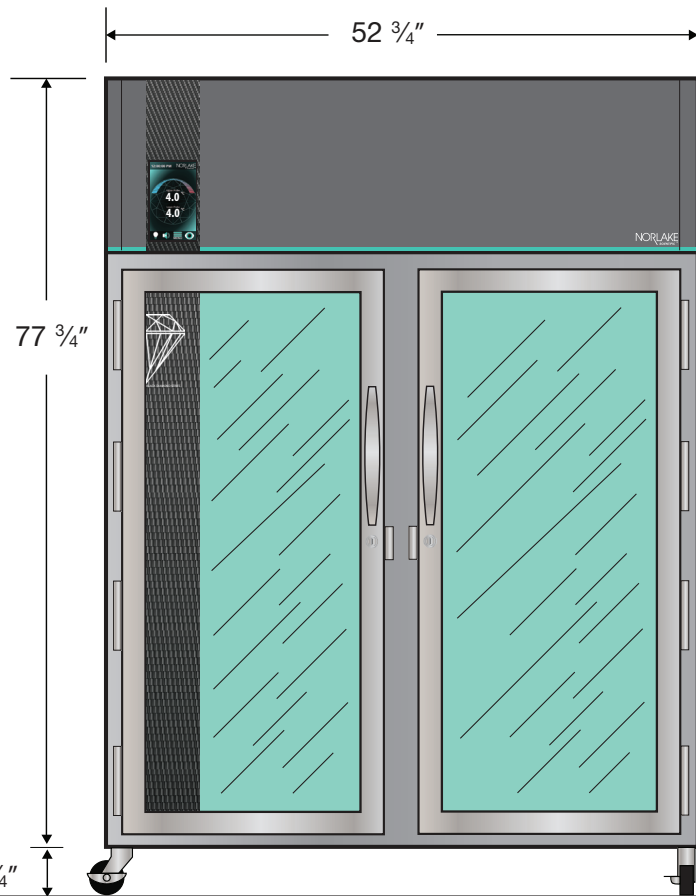



CUTSHEET

Front View

Side View

Top View



 115VAC/60Hz/1PH
NEMA-5-15P

Cu. Ft	Defrost	Door	Int Door	Shelves	W"	D"	H"	Refrigerant	H.P.	Amps	Weight
46	Cycle	2 Glass	0	10 Adj.	52 3/4	35 1/4	80 1/2	R290	1/2	5.9	614 lbs